

BLUE+ 8

8.0" Customer/Operator Display



TECHNICAL OVERVIEW

Description and Application

BLUEplus8_TO_05.doc

Version 05

March 22, 2011



[**TIPRO**]

keyboards focusing on your future needs.

TABLE OF CONTENTS

A. GENERAL INFORMATION	A-1
A.1. Highlights	A-1
A.2. Technical Characteristics	A-2
B. INTEGRAL PARTS AND FUNCTIONALITY	B-1
B.1. Video Controller Board (VGA).....	B-1
B.2. Video Controller Board (USB).....	B-1
B.3. Mounting/Integration.....	B-1
B.4. Installation and Operation	B-6
B.5. Accessory	B-6
C. ORDERING CODES	C-1
C.1. Stand-Alone Variants	C-1
C.2. FCX Keyboard Mount Variant.....	C-2
D. REFERENCES	D-1
E. NOTICES	E-1
E.1. Disclaimer	E-1
E.2. Copyright Notice	E-1

A. GENERAL INFORMATION

The BLUE+ 8 (originally referred to as 8.0" graphic Display) was originally designed as a graphic PoS customer/advertisement display. Different variants enable installation as a Table-Top, a Table-Through or a VESA/Pole mount monitor. In combination with FCX keyboards it might be used as a space-saving PoS operator display. Standard video interface is analogue RGB (VGA) for all mounting variants.

The Table-Top variant is optionally available with the USB video interface (instead of the VGA). Electrically it represents a USB graphic display device, operating as a secondary computer display, either in "Extended Desktop" (as an extension of the primary monitor) or "Clone/Mirror" (as a replica of the primary monitor) mode. Various operating systems are supported as well as a number of standard video formats.

A.1. Highlights

FEATURES

- ◆ 8.0" TFT LCD protected by glass
- ◆ different mounting variants (Table-Top, Table-Through, VESA 75 mount, FCX keyboard mount)
- ◆ two-axis display adjustment (tilt: -15° to +70°, swivel -60° to +60°)
- ◆ integrated pushbuttons (4) for various display controls and LED ON/OFF indicator
- ◆ table-top and VESA 75 mount variants available with USB video interface
 - ◆ high-speed USB video device (Display Link's DL-120 graphic processor)
 - ◆ secondary display operating in "Extended Desktop" or "Clone/Mirror" mode
 - ◆ up to six (6) displays can be connected to a single computer
 - ◆ optional picture rotation
 - ◆ DVD quality video playback
 - ◆ adaptive lossless compression

APPLICATIONS

- ◆ PoS customer display
- ◆ PoS operator display
- ◆ information/advertisement display

A.2. Technical Characteristics

ELECTRICAL

- ◆ **power supply:** 12V \pm 5% (from an external AC/DC adapter, e.g. TM-VPF)
- ◆ **current consumption:** 350 mA_{TYP} (550 mA_{MAX})
- ◆ **power connector:** 2.1 mm DC power socket/jack
- ◆ **interface connector (VGA variants):** D-SUB 15 female (VGA)
- ◆ **interface connector (USB variant):** USB A plug (at the end of the interface cable)

MECHANICAL

- ◆ **casing:** plastic ABS
- ◆ **net dimensions (display only):** 243 x 171 x 48 (W/D/H) [mm]
- ◆ **overall installation height** (measured from the table to the top edge):
 - ◆ Table-Top variant : 297 mm
 - ◆ Table-Through variant: 316 mm
 - ◆ FCX keyboard mount: 228 mm
- ◆ **pole height** (measured from the table to the bottom edge):
 - ◆ Table-Top variant : 126 mm
 - ◆ Table-Through variant: 145 mm
- ◆ **weight** (display only):
 - ◆ VESA mount variant: 1,25 kg
 - ◆ Table-Top variant : 2,15 kg
 - ◆ Table-Through variant: 1,75 kg
 - ◆ FCX keyboard mount variant: 1,65 kg
- ◆ **rotation** (valid for table-top and table-through variants)
 - ◆ swivel: -60° to +60°
 - ◆ tilt: -15° to +70°
- ◆ **rotation** (valid for FCX keyboard mount variant)
 - ◆ tilt: -10° to +55°
- ◆ **protection (sealing) grade:** IP 40 (according to EN 60529)

ENVIRONMENTAL

- ◆ **operating ambient temperature range:** 0°C to +40°C
- ◆ **storage ambient temperature range:** -10° C to +50°C
- ◆ **relative humidity range:** 20% to 80% (non-condensing)

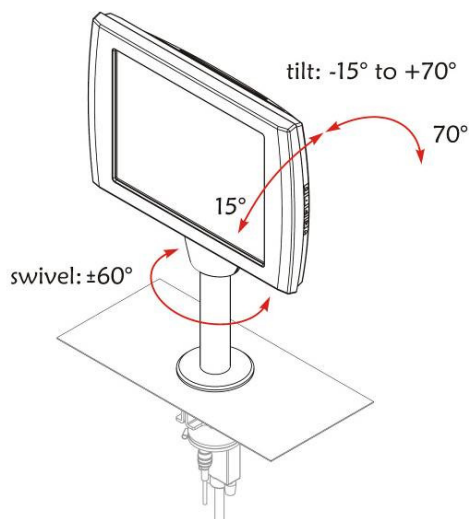


Figure A.1 Display Adjustment (Table-Top and Table-Through variants)

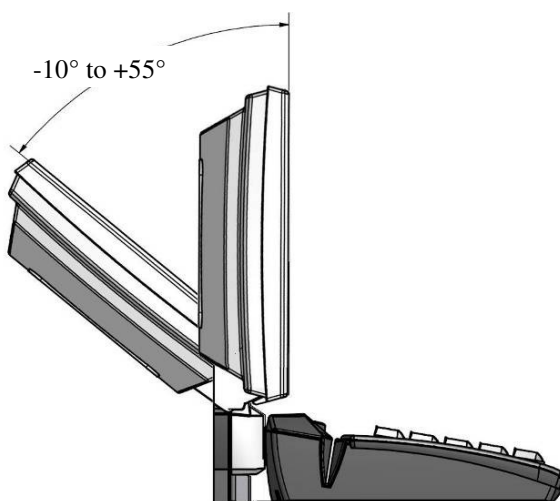


Figure A.2 Display Adjustment (FCX keyboard mount variant)

TFT LCD

- ◆ **size:** 8.0" diagonal
- ◆ **aspect ratio:** 4:3
- ◆ **native resolution:** 800 x 600 pixels
- ◆ **luminance/brightness (typical):** ≥ 200 cd/m²
- ◆ **contrast ratio (typical):** $\geq 300 : 1$
- ◆ **backlight type:** LED
- ◆ **backlight lifetime (minimal):** $\geq 20,000$ hours

B. INTEGRAL PARTS AND FUNCTIONALITY

B.1. Video Controller Board (VGA)

Standard video controller board provides analogue-to-digital conversion necessary for the integrated TFT LCD to display the analogue RGB signal from the computer.

B.2. Video Controller Board (USB)

Integrated video controller board, based on Display Link's graphic processor DL-120, translates USB video input signals into the respective LVDS signals for the TFT LCD. It requires installation of specific drivers in order to operate properly as a secondary display either in "Extended Desktop" or "Clone" mode. Various operating systems are supported as well as a number of standard video formats (e.g. WMV, DivX, QT, ...).

SUPPORTED OPERATING SYSTEMS

- ◆ Windows 2000
- ◆ Windows XP (32-bit)
- ◆ Windows Vista (32-bit and 64-bit)
- ◆ Windows 7 (32-bit and 64-bit)

B.3. Mounting/Integration

Four (Table-Top, Table-Through, VESA 75 mount and FCX keyboard mount) different mounting options are available. Refer to the following pages for details.

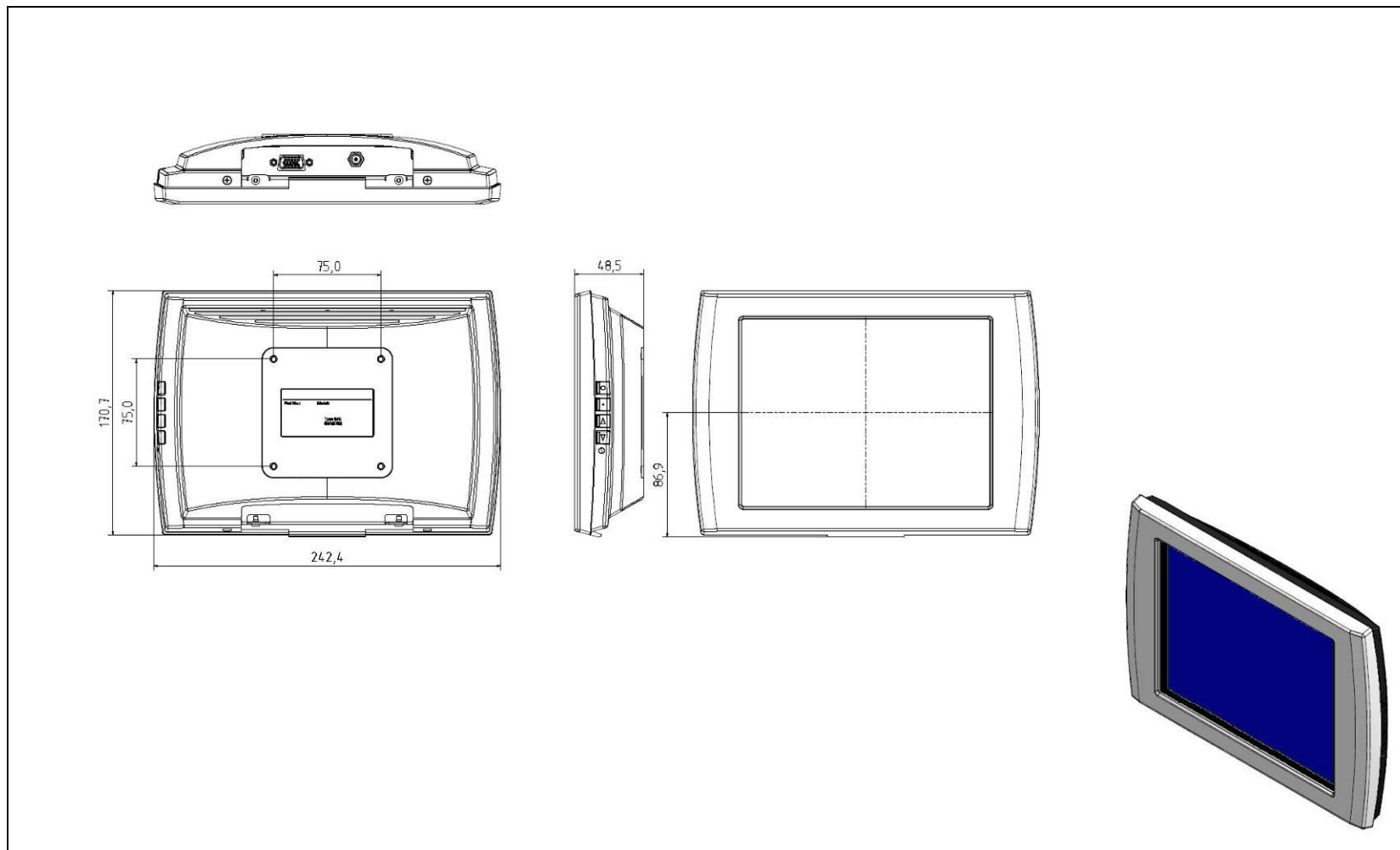


Figure B.1 VESA 75 mount variant (TM-DV0-B00)

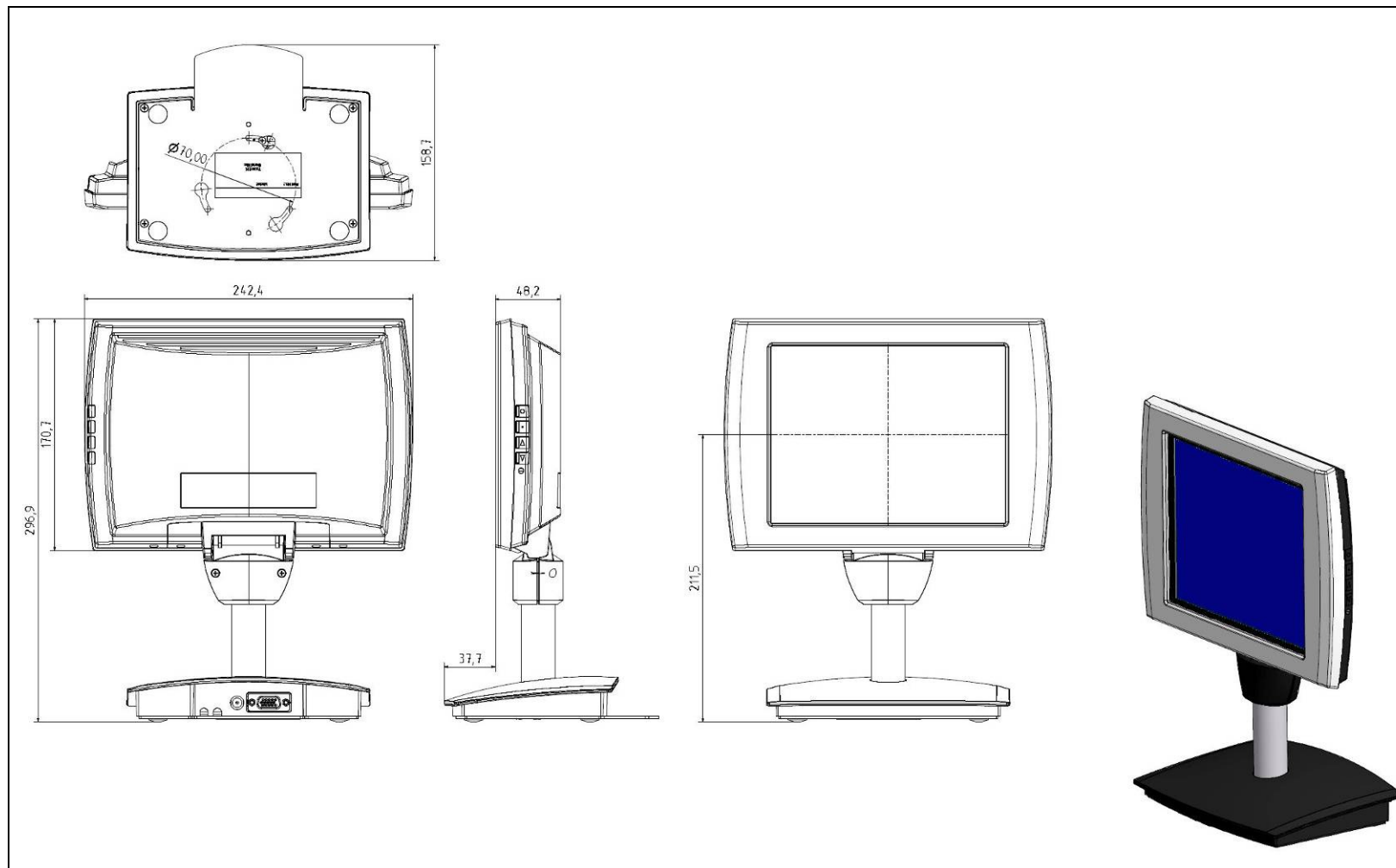


Figure B.2 Table-Top (Stand-Alone) variant (TM-DV0-B10)

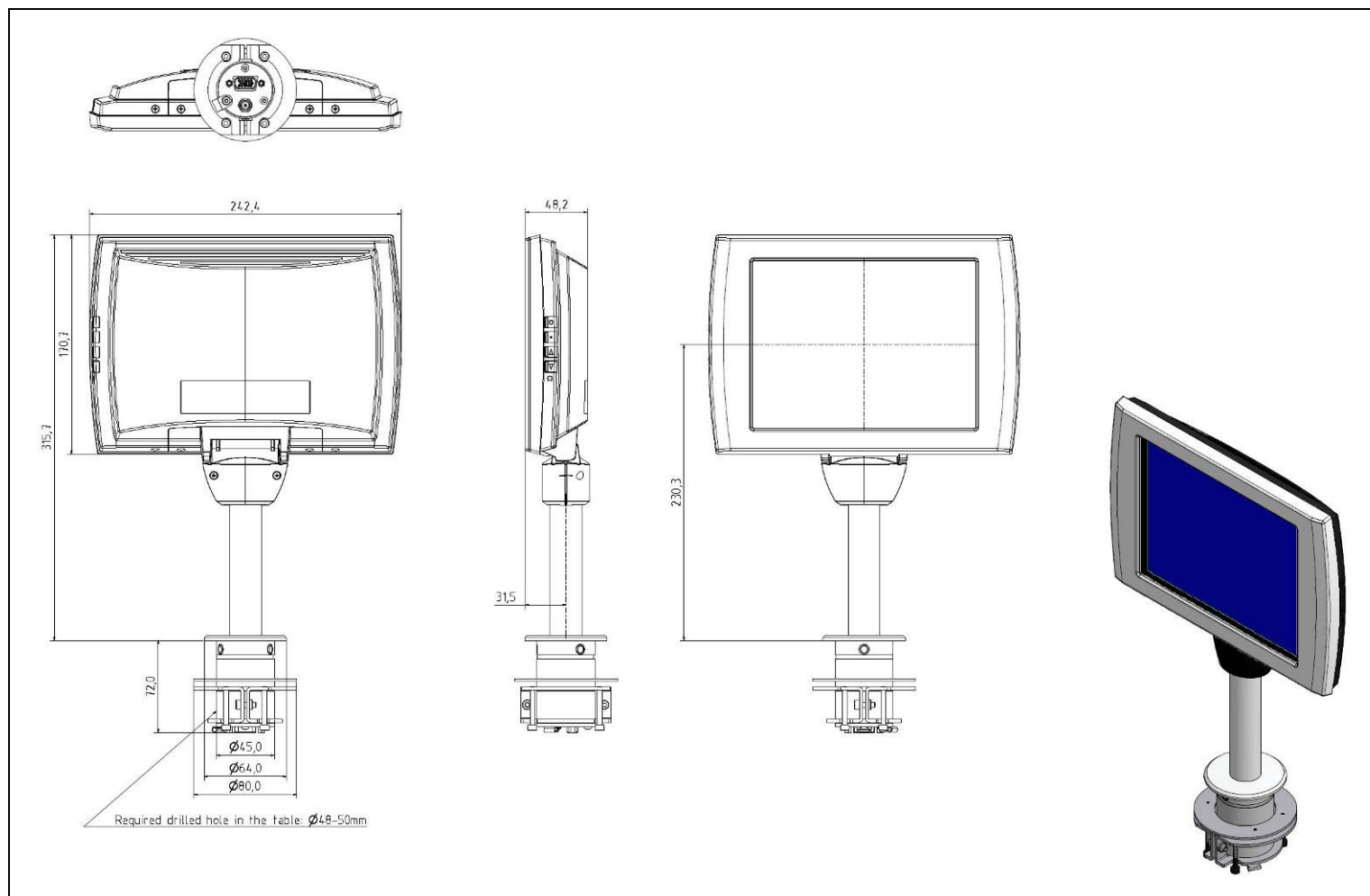


Figure B.3 Table-Through variant (TM-DV0-B20)

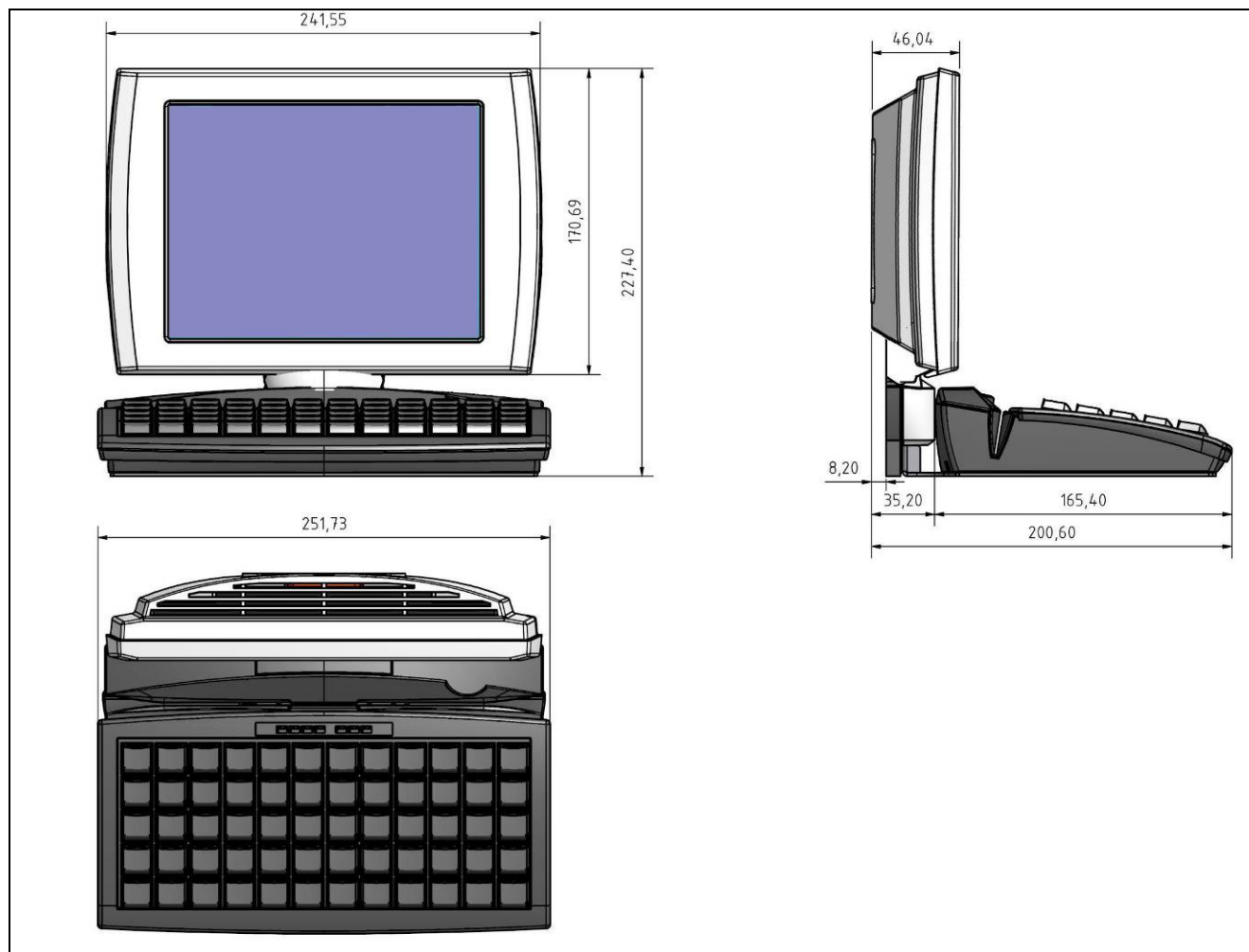


Figure B.4 FCX keyboard mount variant

B.4. Installation and Operation

Detailed instructions on how to install the drivers and use the display are described within the Getting Started document enclosed within the packaging.

B.5. Accessory

BLUE+ 8 is supplied with the appropriate video interface cable (VGA or USB), 12V Power Supply Unit (AC/DC adapter) and European power cord. The respective Getting Started document is enclosed within the packaging.



C. ORDERING CODES

C.1. Stand-Alone Variants

		1	2	3		4	5	6		7		8	
TM	-	D	V	0	-	B	1	0	-	C15	C10	-	000

1 – Type/Model

D : Display

2 – Video Interface

V : Analogue RGB (VGA)

U : USB (Table-Top & VESA Mount variants only)

3 – Touchscreen Interface & Technology

0 : without touchscreen

4 – TFT LCD

B : 8.0", 800 x 600 pixels, 250 cd/m²

5 – Mounting Style/Integration

0 : VESA Mount

1 : Table-Top

2 : Table-Through

6 – Reserved

7 – Housing Colour

C15 : black

C15C10 : black (C15) with light gray (C10) top part of the housing

C15C5 : black (C15) with aluminium gray (C5) top part of the housing

Other colours available upon request

8 – Custom Version

Three-digit number reserved for product customizations. It is omitted in case of standard version.

C.2. FCX Keyboard Mount Variant

1 2		3		4	5	6		7	8	9		10		11
FCX	-	0 8 0	-	U	R	I	-	G	V	I	-	C 15 C10	-	

1 – Compact Keyboard*

2 – Matrix Alignment*

3 – Housing Size*

4 – Controller Type*

5 – Card Reader*

6 – Identification Module*

7 – Integrated Display

L, B, M, Q : different alphanumeric displays

G : 8.0" Graphic display (800 x 600)

8 – Integrated Display Interface

T, R, U : interfaces of alphanumeric displays

V : Analogue RGB (VGA)

9 – Integrated Pointing Device*

10 – Housing Colour*

11 – Custom Version*

** : these codes are specific to the FCX keyboards (see reference [3] for details)*

D. REFERENCES

1. “BLUE+ 8” – Getting Started
2. “BLUE+ 10” – Technical Overview
3. “Alphanumeric Operator Display” – Technical Overview

E. NOTICES

E.1. Disclaimer

Information furnished by Tipro is believed to be accurate and reliable. However, Tipro makes no representations or warranties regarding the accuracy or completeness of the contents of this document and reserves the right to make changes to specifications and product descriptions at any time without notice.

E.2. Copyright Notice

© 2007-2011 Tipro. All rights reserved. Trademarks and registered trademarks are the property of their respective owners.