

BLUE+ 17

17.0" Desktop Touchmonitor



TECHNICAL OVERVIEW

Description and Application

BLUEplus17_TO_02.doc

Version 02

February 5, 2010



[**TIPRO**]

keyboards focusing on your future needs.

TABLE OF CONTENTS

A. GENERAL INFORMATION	A-1
A.1. Highlights	A-1
A.2. Technical Characteristics	A-1
B. ORDERING CODES	B-1
C. NOTICES	C-1
C.1. Disclaimer.....	C-1
C.2. Copyright Notice	C-1

A. GENERAL INFORMATION

The BLUE+17 is a desktop touchmonitor, combining a 17.0" TFT LCD and a touchscreen, on a stable metal stand what is important for touch applications. It features a dual-interface video controller as well as a dual-interface touchscreen controller to provide for a flexible integration.

For non-touch applications the BLUE+17 is available in a variant without the touchscreen, as well as in a variant with a special protective glass. See chapter B for ordering details.

A.1. Highlights

FEATURES

- ◆ 17.0" TFT LCD with SXGA (1280 x 1024) resolution
- ◆ 5-wire resistive touchscreen
- ◆ solid and stable stand made of metal
- ◆ wide tilting range (0°- 90°)
- ◆ provision for VESA 100 mounting
- ◆ cable management – cables are hidden, but accessible and secured
- ◆ cable exit: on the side (table-top) or underneath (table-through)
- ◆ dual-interface (VGA and DVI-D) video controller
- ◆ dual-interface (RS232 and USB) touchscreen controller

APPLICATIONS

- ◆ PoS operator terminals (retail, hospitality, ...)

A.2. Technical Characteristics

ELECTRICAL

- ◆ **power supply:** 12V \pm 5% (from an external AC/DC adapter, e.g. TM-VPB)
- ◆ **current consumption:** up to 3.0 A (2.4 A_{TYP})
- ◆ **power consumption:** up to 38 W (29 W_{TYP})
- ◆ **power connector:** 2.1 mm DC power socket/jack
- ◆ **video interface connectors:** DVI-D receptacle and D-SUB 15 female (VGA)
- ◆ **touchscreen interface connectors:** USB B receptacle and D-SUB9 female (RS232)

MECHANICAL

- ◆ **casing:** plastic ABS
- ◆ **stand:** zinc alloy
- ◆ **net dimensions:** 395 x 190 x 361 (W/D/H) [mm] – see Figure A.1
- ◆ **net dimensions (VESA-Mount):** 395 x 57 x 317 (W/D/H) [mm] – see Figure A.3
- ◆ **weight:** 7.90 kg (approximately)
- ◆ **weight (VESA-mount):** 5.00 kg (approximately)
- ◆ **package weight (accessory included):** 10.20 kg (approximately)
- ◆ **package weight (VESA-mount) (accessory included):** 7.30 kg (approximately)
- ◆ **packaging dimensions:** 541 x 265 x 458 (W/D/H) [mm]
- ◆ **protection grade:** protected from the front

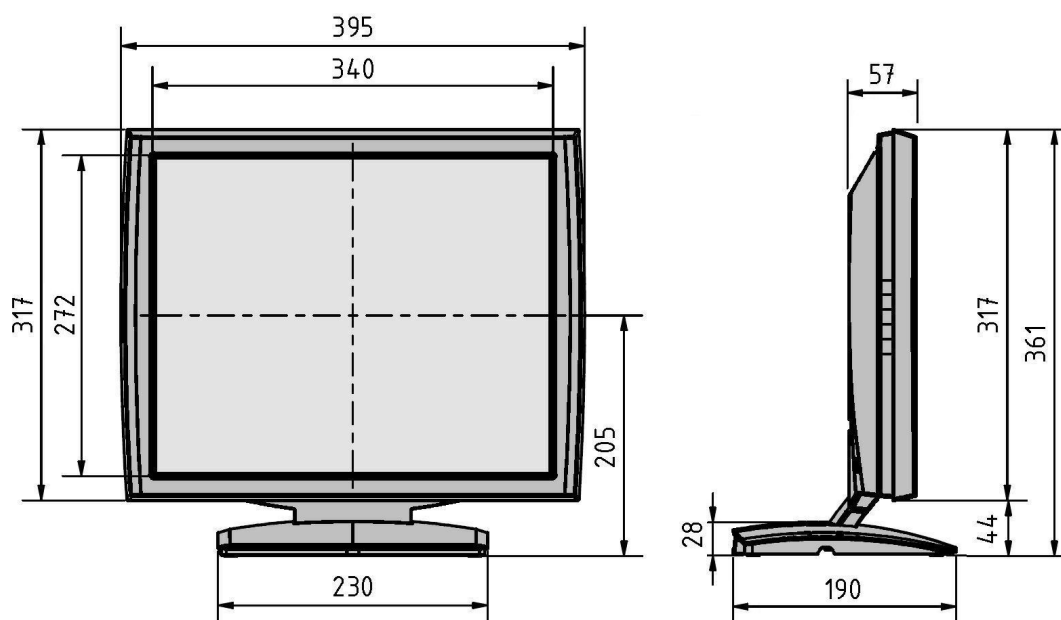


Figure A.1 Physical Dimensions – in upright position

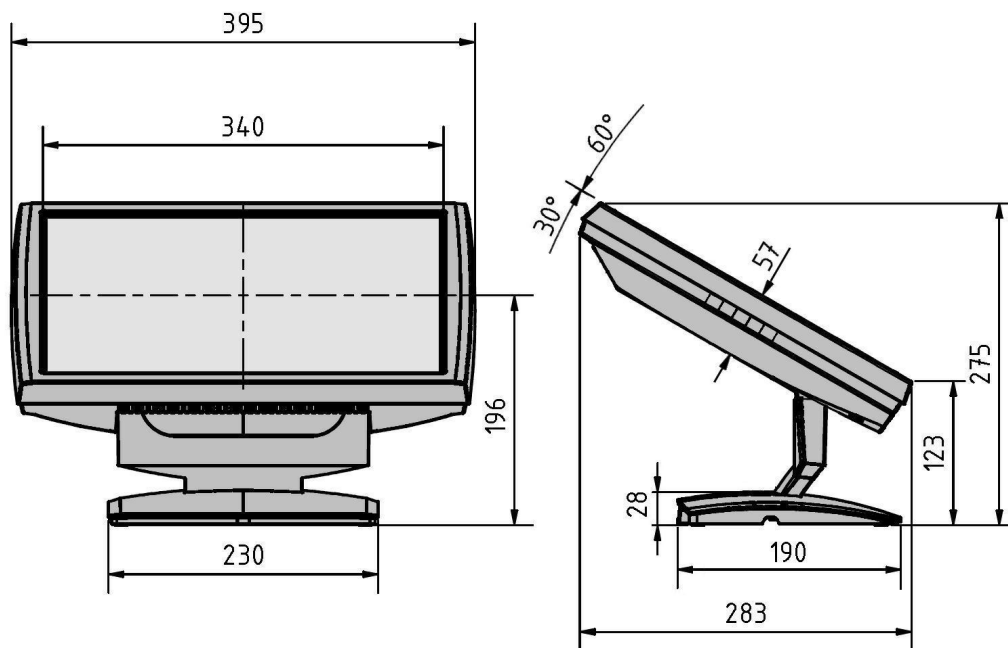


Figure A.2 Physical Dimensions – in a tilted position

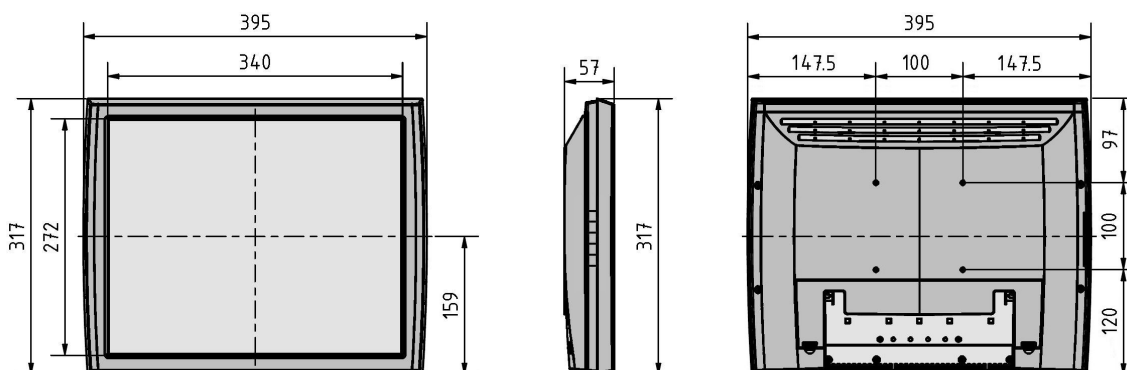


Figure A.3 Physical Dimensions – VESA mount variant (without the stand)

ENVIRONMENTAL

- ◆ **operating ambient temperature range:** 0°C to +40°C
- ◆ **storage ambient temperature range:** -10° C to +50°C
- ◆ **relative humidity range:** 20% to 80% (non-condensing)

TFT LCD

- ◆ **size:** 17.0" diagonal
- ◆ **aspect ratio:** 5:4
- ◆ **native resolution:** 1280x1024 (SXGA)

- ◆ **luminance (brightness):** 300 cd/m² (typical)
- ◆ **contrast ratio:** 500 : 1 (typical)
- ◆ **viewing angle** (upper/lower/left/right): 70/60/70/70° (typical)
- ◆ **backlight lifetime:** 50,000 hours (typical)

TOUCHSCREEN

- ◆ **technology:** 5-wire resistive
- ◆ **non-linearity error:** 1.5 % (maximal standard deviation of error)
- ◆ **touch activation force:** <50g (typically)
- ◆ **controller resolution:** 2048x2048 touch points
- ◆ **light transmission:** 80±2% (at 550 nm wavelength)
- ◆ **lifetime:** 35 x 10⁶ touches in one location

ACCESSORY

- ◆ **power supply unit** (AC/DC adapter): TM-VPB (12V/60W)
- ◆ **power cord** (with IEC60320/C13 connector): TM-C2E
- ◆ **VGA cable:** TM-CVV
- ◆ **USB cable:** TM-CU1 (only for variants with integrated touchscreen)
- ◆ **RS232 cable:** TM-CGH (only for variants with integrated touchscreen)
- ◆ **plastic screwdrivers** (one in the packaging, another inside the cable management area of the touchmonitor)

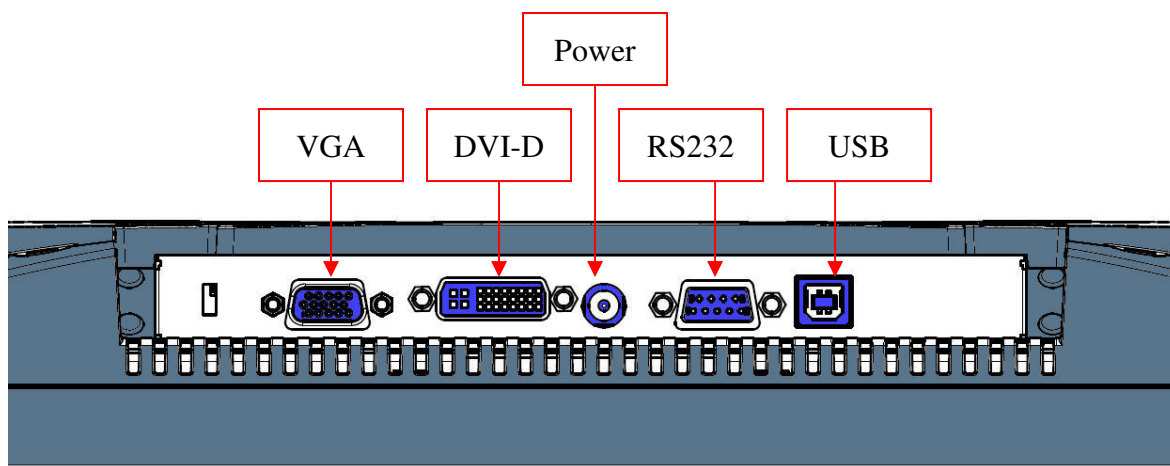


Figure A.4 Interface Connectors

B. ORDERING CODES

1
2
3
4
5
6
7
8
B T - S B D - I 1 0 - C15 - x x x

1 – Type/Model

S – 17.0” touchmonitor (SXGA resolution)

2 – Video Interface

B : Analogue RGB (VGA) + DVI-D

3 – Touchscreen Interface & Technology

D : Dual USB & RS232 (5-wire resistive)

0 : without touchscreen and without protective glass

G : with protective glass instead of touchscreen

4 – TFT LCD Model

I : AUO 17.0” SXGA

5 – Mounting Style (Integration)

0 : VESA 100 Mount (without a stand)

1 : TableTop (with the stand)

6 – Reserved

7 – Housing Colour

C15 : black

C15C5 : black (C15) with silver (aluminium C5) top part of the housing

Other colours available upon request

8 – Custom version

Three-digit number reserved for product customizations. It is omitted in case of standard version

C. NOTICES

C.1. Disclaimer

Information furnished by Tipro is believed to be accurate and reliable. However, Tipro makes no representations or warranties regarding the accuracy or completeness of the contents of this document and reserves the right to make changes to specifications and product descriptions at any time without notice.

C.2. Copyright Notice

© 2008-2010 Tipro. All rights reserved. Trademarks and registered trademarks are the property of their respective owners.